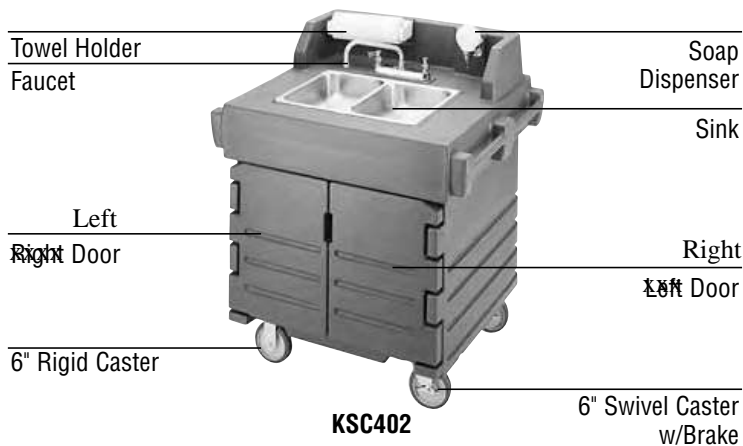




Hand Sink Cart Replacement Parts List



Doors

CODE	PART FITS C.G.THIS PRODUCT	DESCRIPTION	USD LIST PRICE
60195	KSC402	1-Latch Strike Plate, 4-Screws (60131), 4-Star Washers (60340)	2.00
46038	KSC402	1-Three Lobe Knob, 1-Sink Top Stud	3.85
7375	KSC402	Left Door w/Hardware: 1-Left Door, 2-Pivot Pin (42128B), 1-3" Hinge Pin (42238), 1-Pin Lock Clip (42133), 1-Latch Hook (60196), 2-Star Washers (60339), 2-Screws (60321)	188.00
7376	KSC402	Right Door w/Hardware: 1-Right Door, 2-Pivot Pin (42128B), 1-3" Hinge Pin (42238), 1-Pin Lock Clip (42133), 1-Latch Hook (60196), 2-Star Washers (60339), 2-Screws (60321)	188.00
60196	KSC402	1-Latch Hook, 2-Screws (60321), 2-Star Washers (60339)	5.25
42128B	KSC402	1-Aluminum Hinge .Pivot Pin	5.65
42238	KSC402	1- 3" Hinge Pin	5.25
42133	KSC402, UPCH1600	1-Pin Lock Clip	1.00

Towel Holder

CODE	PART FITS C.G.THIS PRODUCT	DESCRIPTION	USD LIST PRICE
47505	KSC402	1-Towel Saver Paper Towel Holder	

Well Cover

CODE	PART FITS C.G.THIS PRODUCT	DESCRIPTION	USD LIST PRICE
S06006	KSC4 02	1-Knob, 1-Bolt	5.75

Casters

CODE	PART FITS C.G.THIS PRODUCT	DESCRIPTION	USD LIST PRICE
60032	KSC402	1-Left Side Caster 6" Rigid Type, 4-Bolts (60300)	34.75
60033	KSC402	1-Right Side Caster 6" Swivel w/Brake, 4-Bolts (60300)	42.15
44018	KSC4 02	1-Impact Plate	5.50

This page shows List Price ONLY. For discounted pricing please visit www.deiequipment.com and enter the Part CODE in the Search Box

Faucet

CODE	PART FITS C.G.THIS PRODUCT	DESCRIPTION	USD LIST PRICE
47500	KSC4 02	1-Chrome Faucet	241.50
47537	KSC402	1-Chrome Faucet ADA Type	356.00

Gaskets

CODE	PART FITS C.G.THIS PRODUCT	DESCRIPTION	USD LIST PRICE
12131	KSC402	1-Gasket for Cap Assembly	2.00

Sink

CODE	PART FITS C.G.THIS PRODUCT	DESCRIPTION	USD LIST PRICE
47501	KSC402	1-Stainless Steel Sink 2 Compartment	297.00
47502	KSC402	1-Drain Basket w/Strainer	12.50
47400	KSC402	1-Center Outlet Assemblm	12.40
47180	KSC402	1-2" O.D. Worm Type Hose Clamp	6.00
47503	KSC402	1-Drain, 1-Waste Arm Slip Joint	8.00
47504	KSC402	1-36" Drain Flex/Straight Hose Line (Waste Water)	5.50

Soap Dispenser

CODE	PART FITS C.G.THIS PRODUCT	DESCRIPTION	USD LIST PRICE
60214	KSC402	1-Soap Dispenser, 3-Screws (60323)	50.00

Tanks

CODE	PART FITS C.G.THIS PRODUCT	DESCRIPTION	USD LIST PRICE
73811	KSC402	1-Fresh Water Tank	154.30
738225	KSC402	1-Waste Water Tank	85.00
46036	KSC402	1-Quick Connect Female Coupling (fresh water tank only)	74.90
47412	KSC402	1-Siphon Tube 3/8" Polytube 24" long (fresh water tank only)	1.20
60197	KSC402	Cap Kit (both fresh & waste tanks): 1-2" Threaded Cap, 1-Tether Line (47286), 1-Strap Adapter, 1-White Gasket (12131)	9.05

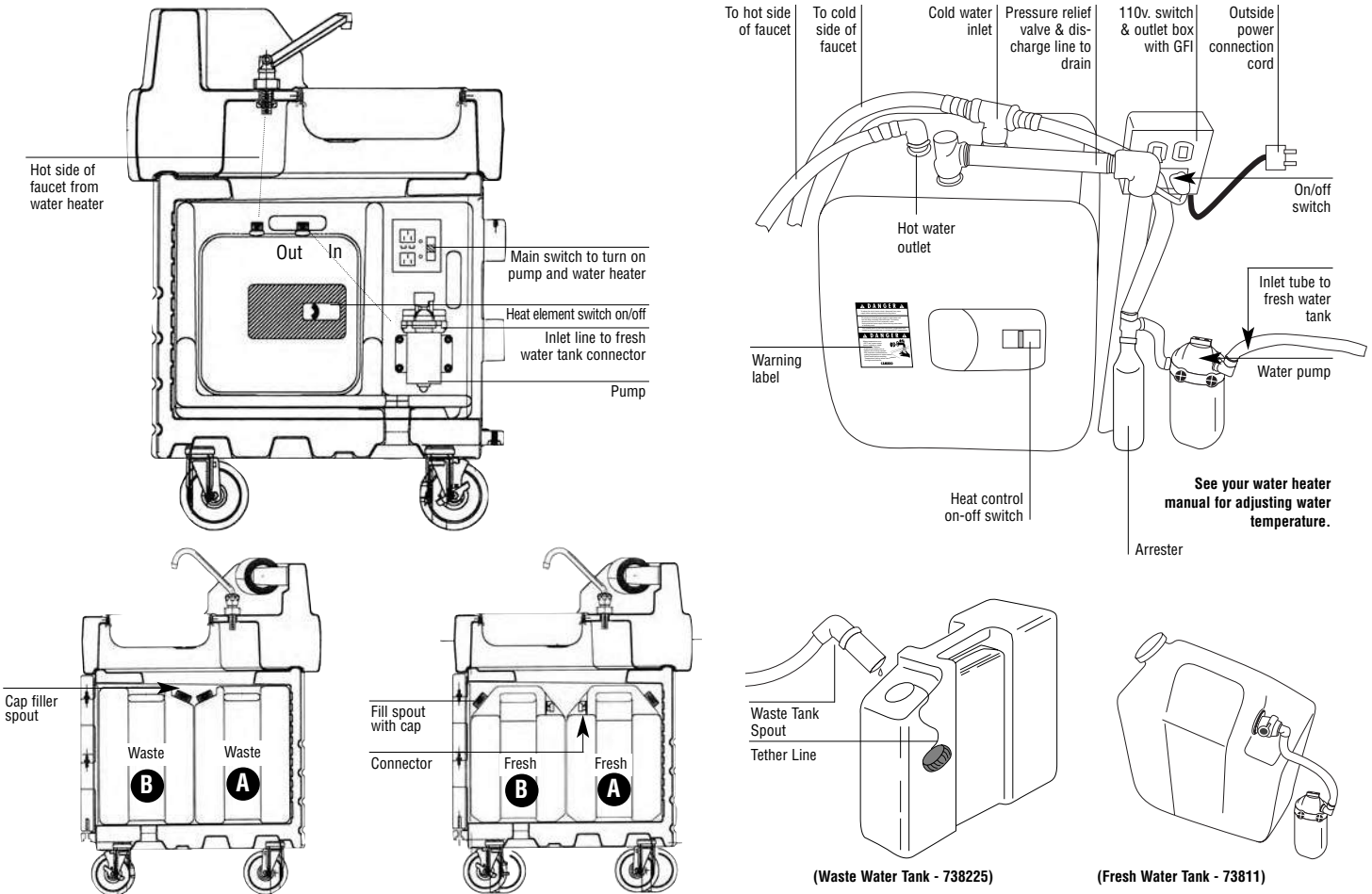
Water Heater Rack Assembly

CODE	PART FITS C.G.THIS PRODUCT	DESCRIPTION	USD LIST PRICE
60190	KSC402	Water Heater Kit (110V.)	493.00
60193	KSC402	1-Pressure Valve, 1-Three Piece Blow Tube	33.55
60191	KSC402	110v. Water Pump Kit	357.00
47409	KSC402	1- 1/2" Pipe Threads Street Elbow 90° (Bronze Fitting)	5.40
60192	KSC402	1-Electrical Switch/Outlet Box 110v., 4-Pan Head Screws (60323)	179.00
47405	KSC402	1-30" Braided Water Connector	9.95
47406	KSC402	1-12" Braided Water Connector	9.25
60218	KSC402	Hammer Arrester Pressure Chamber Kit: 1-Hammer Arrester Unit, 2-Pipe Nipples (47416), 1-Pipe Tee Fitting (47408), 2-Braided Water Lines (47406), 1-Mount Clip, 1-Pan Head Screw	139.00
60225	KSC402	1-Water Supply Hose, 1-Male Quick Disconnect Fitting w/Hose Clamp	46.20
47408	KSC4 02	1-Tee Quest	5.60
47416	KSC4 02	1-Pipe Nipple	7.75
47417	KSC4 02	1-Hammer Arrester	74.75
60194	KSC402	1-Pipe Fitting Kit	34.90
46037	KSC402	1-Quick-Connect Male 90° (for tank to pump line)	33.95
47295	KSC402	1-Wire Tie or Strap	1.00
47286	KSC402220	1 Sink Tether Line for Cap Assembly	1.00

This page shows List Price ONLY. For discounted pricing please visit www.deiequipment.com and enter the Part CODE in the Search Box

Special Order - International or Overseas Model

CODE	PART FITS C.G.THIS PRODUCT	DESCRIPTION	USD LIST PRICE
60209	KSC402220	220v. Water Heater Kit: 1- Water Heater, 2-Hex Bolts (60320), 2- Flat Washers S.A.E. (60336), 2-Nuts (60345)	535.00
60291	KSC402220	220v. Water Pump Kit: 1-Water Pump 220v. FLOJET, 4-Hex Bolts (60320), 4-Flat Washers S.A.E. (60336)	505.00
60211	KSC402220	220v. Electrical Switch Box Kit: 4-Pan Head Screws, 1-Power Cord w/Sealed Plug (47518), 1-Switch Box (47519), 1-Switch Box Cover (47520), 1-Off/On Switch 220v. (47521), 1-Straight Strain Relief (47522), 1-90° Strain Relief (47523)	400.00
47530	KSC402220	1-220v. Indicator Light	19.20
47521	KSC402220	1-Switch 220v. w/ Indicator Light	90.50
47517	KSC402220	1-220v. PRCD Trip Switch - G.F.I.	152.25
47410	KSC402220	1-90° Male Elbow for FloJeT pump only 220v.	4.75
60266	KSC402220	1-Switch Box, 1-Flip Cover, 1-Gasket, 8-Screws, 1-Switch Plate, 1-Switch 220v On/Off (47521)	96.90
47518	KSC402220	1-Power Cord for 220V w/CEE7 Euro Plug	75.60
47519	KSC402220	1-J-Box Switch for 220V	31.00
47520	KSC402220	1-Switch box Flip Cover for 220V	107.10
47522	KSC402220	1-Sink Strain Relief for 220V	21.60
47523	KSC402220	1-Sink Strain Relief 90° for 220V	35.50
S07001	KSC402220	1-Switch Plate (for inside J-Box & Flip Cover)	



This page shows List Price ONLY. For discounted pricing please visit www.deiequipment.com and enter the Part CODE in the Search Box