



TCK Series Counter Top Induction Range



Model	TCK112-A	TCK112-A-FL
Configuration	Counter-Top	Free Standing
Power	Max 10,000W	
Voltage	208/240 Volt 3ph 50/60 Hz	
Max 3ph Amps	27.8	
Connection	5' Cord Wired	
Package/Product Weight	60/53 lbs.	
Package/Product Dimensions	21" X 27" X 14" / 18" X 24" x 17"	
Warranty	1 Year Parts and Labor, exclusive of glass breakage.	

Features

- Simple, clean design
- Easy to operate
- 10 Power settings (1-10)
- 7 Warming/Holding settings (H1-H7)
- Large LED Display
- Timer Settings up to 12 hours
- Large removable/cleanable air filter
- Versatile! From heavy duty continuous cooking to precise time and temp control for sous-vide
- Energy efficiency of about 90% or greater
- Displays diagnostic/error codes
- Optional probe for precise temp control
- Robust heavy duty ceramic surface by NEG
- Patented Large Pot Support System
- Patented Aerogel Insulation Protection
- Automatic Fast Pan Sensing
- Patented Ambient Controls Temperature Correction Technology

Accessories

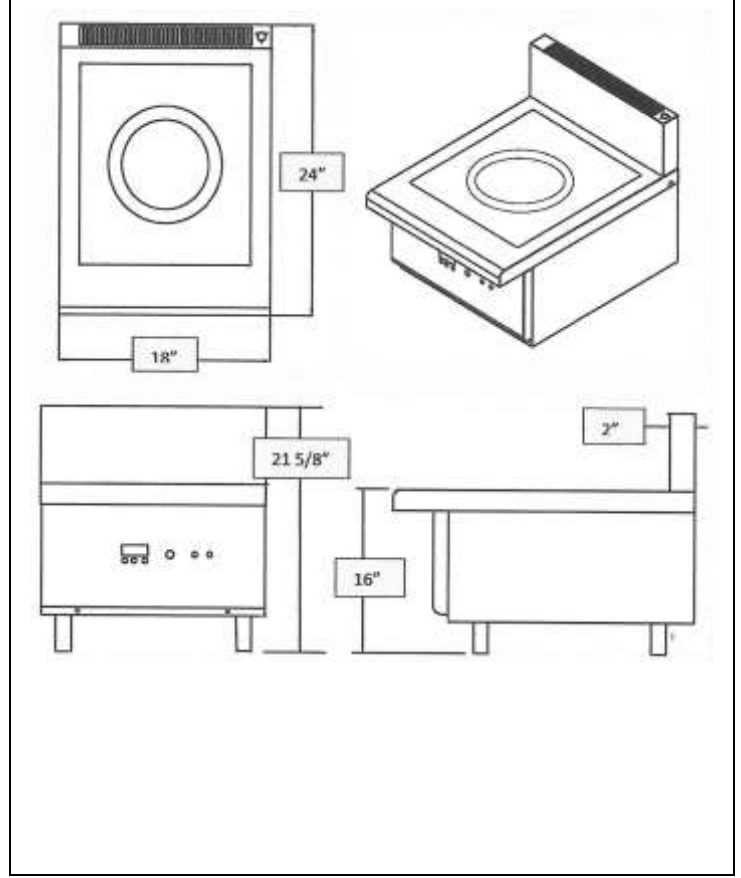
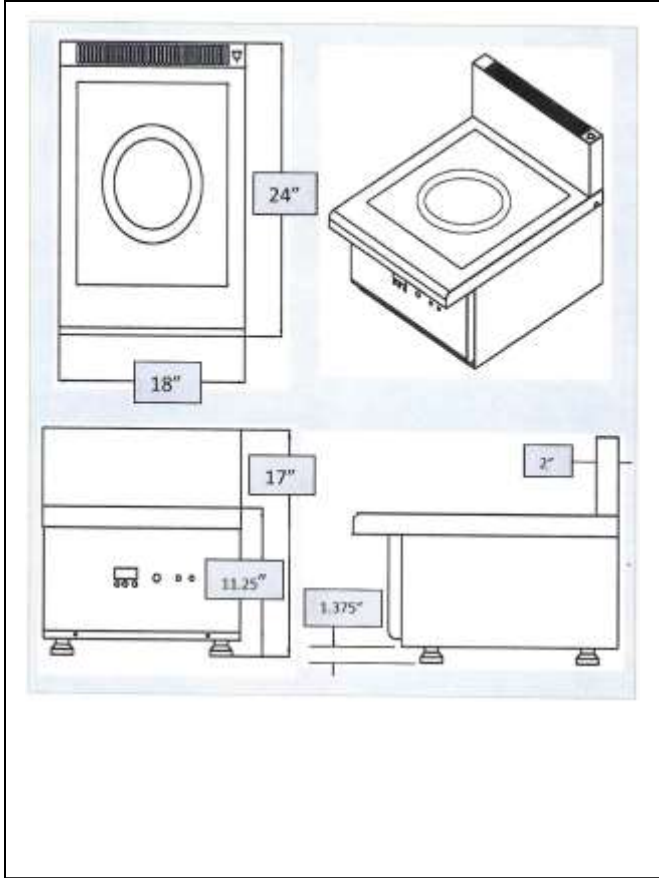
- External Temperature Probe offers precise temp control between 100°F and 400°F



TCK112-A

Counter-Top

Free Standing



Induction compatible cookware required, with a minimum bottom diameter of 5".

Maximum pot weight supported: 220 lbs.

Warming/holding temperature range approximately 95°F – 195°F.

Approximate Time To Boil Water

(Actual time depends on water starting temperature and type of pan/pot)

Water Volume (quarts)	4	8	12	16
TCK112-A Approx. Time to Boil	2 min	5 min	7 min	9 min

