



**BKTW** Series Drop-In Induction Warmer with Integrated Touch Controls



Model	BKTW-A	BKTW11-A
Power	Max 400 W	Max 350 W
Voltage	208/240 Volt 1ph 50/60 Hz	120 Volt 1ph 50/60 Hz
Max Amps	2	3
Connection	5' Cord, NEMA 6-20P	5' Cord, NEMA 5-15P
Package/Product Weight	16/14 lbs	
Package/Product Dimensions	18" X 15" X 7" / 14 9/16" X 11 5/8" X 3 1/8"	
Warranty	1 Year Parts and Labor, exclusive of glass breakage	

**Features**

- Simple clean design
- Easy to operate
- 7 holding/warming settings
- Integrated Touch Controls on glass surface
- Automatic over temp shut off
- Patented Ambient Controls Temperature Correction
- Energy efficiency of 90% or greater
- LED Display
- Displays diagnostic/error codes
- Automatic Fast Pan Sensing
- Robust heavy duty ceramic surface by NEG
- Rugged steel case design
- Less power, better results, compared to other brands with 650 watts or more!

**Accessories**

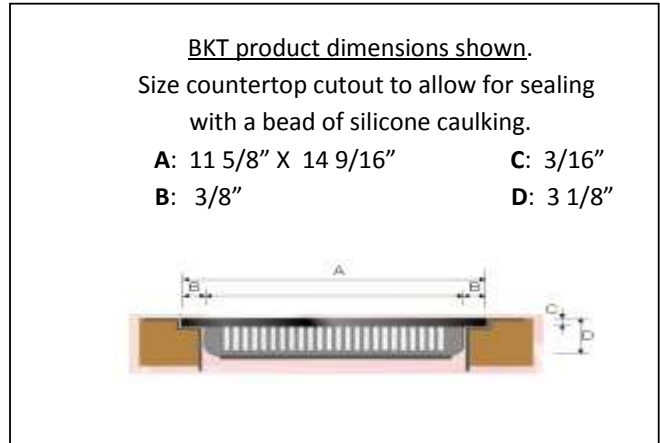
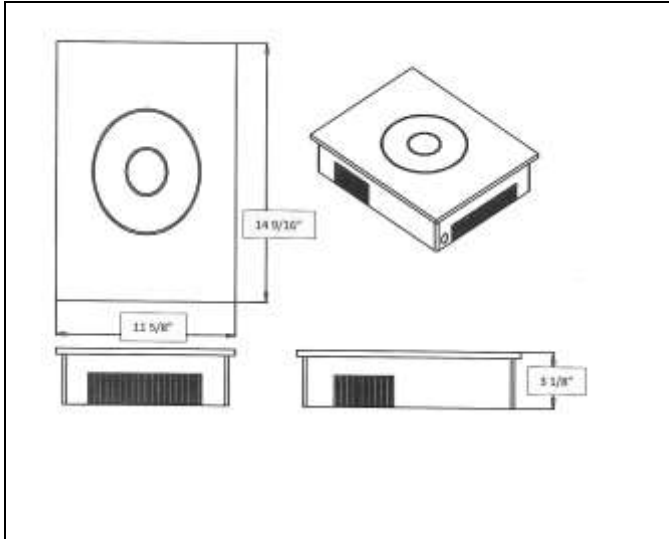
- Stainless Steel Table Stand for portable operation
- Stainless Steel Trim Ring  
Simplifies installation and helps protect ceramic glass from side impact breakage.



Item # \_\_\_\_\_

Quantity \_\_\_\_\_

### BKTW Series Drop-In Induction Warmer with Integrated Touch Controls



For installation with the optional Stainless Steel Trim Ring, cut out size is: 12" X 14 7/8"

Induction compatible cookware required, with a minimum bottom diameter of 5".

Maximum pot weight supported: 65 lbs.

Warming/holding temperature range approximately 95°F – 195°F.

#### Approximate Temperature Guide

(Actual temperatures depend on the pan and the food type and volume)

Setting	1	2	3	4	5	6	7
Temp °F	95	105	122	140	160	180	195

