

CAMKIOSK® HAND SINK CART & VERSA ORGANIZERS

Hand Sink Cart

Hand Sink Cart has a two compartment stainless steel sink and runs cold and hot water up to 140°F (60°C). Two 5 gallon (19 L) fresh water tanks and two 7.5 gallon (28,5 L) refuse tanks provide approximately 70 hand washings. The tanks are easy to insert or remove for emptying and refilling. The hot water heater has a 2.5 gallon (9,5 L) capacity and heats water in 10 minutes. Paper towel holder and soap dispenser are included.

Colors: Granite Gray (191), Granite Green (192), Navy Blue (186), Hot Red (158), Green (519), Granite Green Base with Black Top & Doors (425), Black Base with Granite Gray Top & Doors (426).

6" Casters: 2 fixed, 2 swivel, 2 with brake.

Hand Sink Cart is covered by U.S. Patent D 409,732 & by Patent D 6,173,458 B1.

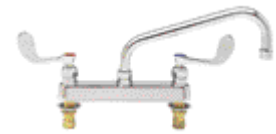
† 220 volt model includes CEE7 type Euro plug.



Hand Sink Cart is designed for hand washing. It contains no filter for purifying water for drinking.



Water heater and water pump draw a maximum of 11.25 amps and 0.7 amps, respectively. Hand Sink Cart electrical system runs on an average 10 amps.



ADA faucet available. Contact Cambro Customer Service for information.

CODE	VOLTAGE	DIMENSIONS L x W x H	CASE LBS. (CUBE)	LIST PRICE EA.
KSC402	110	40 ⁷ / ₁₆ " x 32 ¹ / ₂ " x 45 ¹ / ₂ "	205.67 (39.41)	\$ 4,475.00
KSC402220†	220	40 ⁷ / ₁₆ " x 32 ¹ / ₂ " x 45 ¹ / ₂ "	260 (40.6)	4,475.00

Case Pack: 1

Versa Organizers

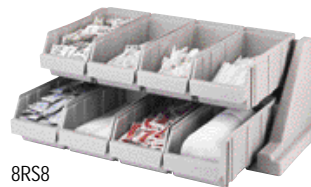
Simplify dispensing non-perishable condiments, flatware and napkins for your wait staff or customers. Seamless, one-piece polymer racks require no assembly, are easy to clean and hold bins in 2 x 3, 2 x 4, 3 x 3, and 3 x 4 arrangements. Wall mount or place on a flat surface. When wall mounted, each bin can hold up to 10 lbs. (4, 5 Kg).

Bins Only

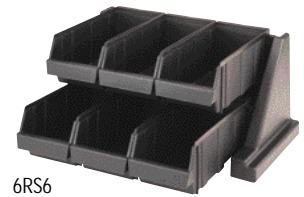
Colors: Coffee Beige (157), Dark Brown (131), Black (110), Slate Blue (401), Speckled Gray (480).

Versa Line Combined Pack Bins & Racks

Colors: Dark Brown (131), Black (110), Speckled Gray (480).



8RS8



6RS6



12RS12 Versa Organizer shown mounted on wall.



Bins sold separately (5412CBP) or as combined packs.

CODE	DESCRIPTION	PRODUCT DIMENSIONS	CASE PACK	CASE LBS. (CUBE)	LIST PRICE EA.
Bins		W x D x H			
5412CBP		5" x 12" x 4 ¹ / ₄ "	12	7.84 (1.78)	\$ 7.65
Versa Line Combined Pack		L x D x H (complete unit)			
12RS12	Rack w/12 bins	25 ¹ / ₈ " x 21 ³ / ₈ " x 14 ¹ / ₄ "	1	14.77 (3.29)	156.00
9RS9	Rack w/9 bins	20 ¹ / ₈ " x 21 ³ / ₈ " x 14 ¹ / ₄ "	1	11.76 (2.65)	138.00
8RS8	Rack w/8 bins	25 ¹ / ₈ " x 17 ¹ / ₄ " x 9 ¹ / ₄ "	1	9.81 (2.33)	126.00
6RS6	Rack w/6 bins	20 ¹ / ₈ " x 17 ¹ / ₄ " x 9 ¹ / ₄ "	1	7.84 (1.64)	114.00



CamKiosk® Hand Sink Cart

Domestic Model KSC402
International Model KSC402220



Features & Benefits

- Stands alone for hand washing. Also attaches to the CamKiosk Main Cart with the optional Connector Bridge to help expand menu options.
- Double-wall, high-density, polyethylene construction is impact resistant and will not dent, crack, bubble, chip or break. Can be wiped or steam cleaned.
- Polyurethane foam-insulation provides added strength and durability.
- Two compartment stainless steel sink. Faucet runs cold water and hot water up to 140°F (60°C). Faucet is NSF-61 listed.
- Two 5 gallon (18,9 L) fresh water tanks and two 7.5 gallon (28,4 L) refuse tanks provide approximately 70 hand washings. Tanks are easy to insert and remove for emptying and refilling.
- Hot water heater has a 2.5 gallon (9,5 L) capacity and heats water in 10 minutes. 110 volt outlet required. International model available in 220 volt.
- Water pump is NSF listed. Water pump and water heater are UL approved. Each draw a maximum of 0.7 amps and 11.25 amps respectively. Hand sink cart electrical system runs on average 10 amps.
- Molded-in handles on both sides provided comfortable easy transporting.
- Four 6" (15,2 cm) casters, 2 fixed, 2 swivel w/ brakes allow for easy transport across a lobby floor, lunchroom or campus grounds.
- Paper towel holder and soap dispenser included.
- Electrical 110 volt or 220 volt.
- Some assembly required.
- Available in 7 solid colors and 2 color combinations.

Item No. _____

Specifier Identification No. _____

Model No. _____

Quantity _____



KSC402



KSC402



2-Compartment Stainless Steel Sink



Tanks and Hot Water Heater

Approvals



Water Pump and Water Heater only



Water Pump only

CamKiosk® Hand Sink Cart

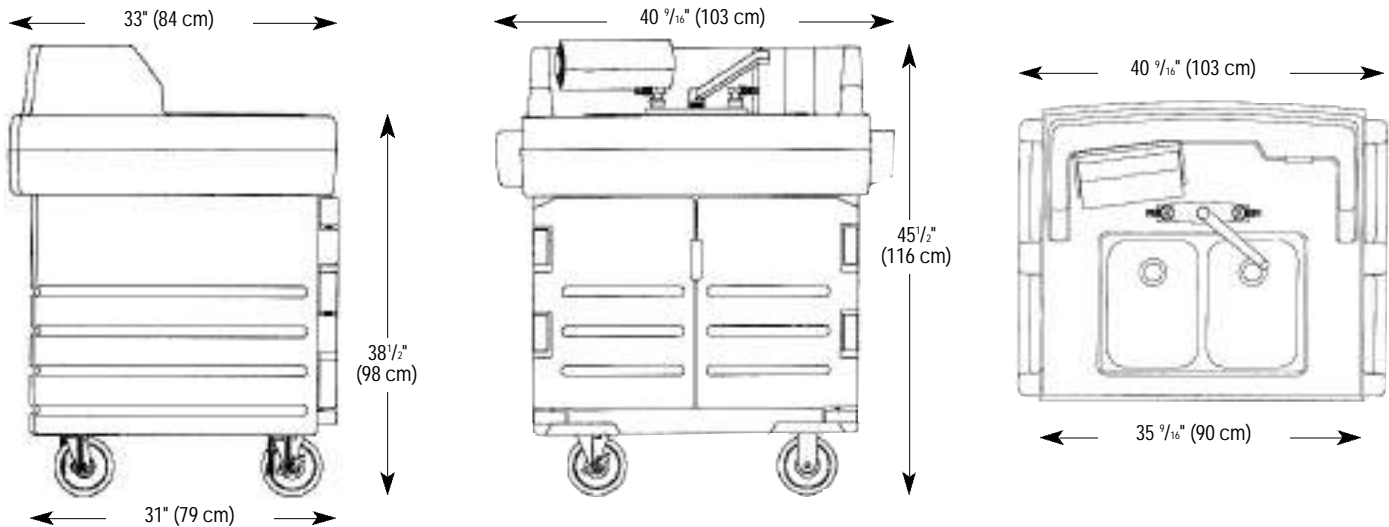
Domestic Model KSC402
International Model KSC402220

Item No. _____

Specifier Identification No. _____

Model No. _____

Quantity _____



Specifications

Dimension Tolerance: +/- 1/4" (0,64 cm)

Code	Description	Overall Dimensions W x D x H	Case lbs./cube Kg/m ³
Domestic (110 volt) KSC402	2 Compartment Hand Sink Cart	40 9/16" x 33" x 45 1/2" (103 x 84 x 116 cm)	224 (39.5) 102 (1.1)
International (220 volt) KSC402220	2 Compartment Hand Sink Cart	40 9/16" x 33" x 45 1/2" (103 x 84 x 116 cm)	224 (39.5) 102 (1.1)

Optional Accessories

Connector Bridge with Front Panel KMC24
37" x 27" x 10" (94 x 68,8 x 25,4 cm)

*Note: For attaching to Camkiosk Cart only.

Standard Colors

- Granite Gray (191)
- Granite Sand (194)
- Kentucky Green (519)
- Black Base with Granite Gray Top & Door (426)
- Granite Green (192)
- Navy Blue (186)
- Granite Green Base with Black Top (425)
- Granite Red (193)
- Hot Red (158)

Architect Specs

The portable, electrical Hand Sink Cart shall be a CamKiosk Electrical Hand Sink Cart, manufactured by Cambro Mfg. Co., Huntington Beach, CA 92648 U.S.A. It shall be a Cambro Model KSC402. It shall be made of polyethylene and foam-injected polyurethane. It shall have molded-in handles, 4 ea. 6" (15,2 cm) swivel casters, 2 fixed, 2 w/ brake. It shall have a 2-compartment stainless steel sink with a faucet that runs cold and hot water up to 140°F (60°C). It shall have 2 each 5 gallon (18,9 L) fresh water tanks, 2 each 7 1/2 gallon (24,4 L) refuse tanks and one 2.5 gallon (9,5 L) hot water heater, ...volt, UL Approved. The water pump shall be UL Approved and NSF listed. Water pump and water heater shall draw a maximum of 0.7 amps and 11.25 amps respectively. Hand Sink Cart electrical system shall run on average 10 amps. It shall include a paper towel holder and soap dispenser and shall be available in 9 color options.

Approvals



Water Pump and Water Heater only



Water Pump only

ICON DIRECTORY

Throughout the Cambro catalog, find the following easy to identify icons to help explain Cambro product features or services.

STORESAFE®

Cambro is committed to providing food service operators with products to help meet HACCP guidelines.

- Cambro food storage products are designed to help keep food fresh and reduce cross contamination.
- Camshelving® is easy to clean to provide a sanitary storage area.
- Cambro catering and merchandising equipment maintain food temperatures to safely hold and transport food.
- The closed wall design of the Camrack® Warewashing and Storage System allows glassware to be stored in an enclosed sanitary place.

Look for the Cambro StoreSafe® mark throughout the Cambro catalog to identify Cambro storage and transportation products that help ensure safe food handling.



Store and Transport
Food Safely



Listed by the National Sanitation Foundation. NSF, an independent testing organization, lists products which meet their criteria for sanitation and cleanability.



One carton of product is within the weight and cube requirements to be shipped by parcel carrier.



Dishwasher Safe



5-Year Warranty



Foam Insulation



Stackable



New Product



Note: Temperature ranges noted throughout this catalog are based on specific test criteria and provide a general guideline. Individual use may vary due to differences in loading temperatures or ambient temperature.

© 2006 Cambro Mfg. Co. Printed in the USA.