

CAMBRO**CamKiosk® Cart****With Umbrella**

Domestic Models KVC854U, KVC856U

International Models KVC854U220, KVC856U220

StoreSafe**Features & Benefits**

- Offers opportunity to capture new or incremental sales in non-traditional locations.
- Double-wall, high-density, polyethylene construction is impact resistant and will not dent, crack, bubble, chip or break. Can be wiped or steam cleaned.
- Polyurethane foam-insulation provides added strength and durability.
- Available in four or six 12" x 20" (32,5 x 53 cm) full pan, 6" (15,2 cm) deep, work top configurations for multiple serving options.
- Two fully insulated storage compartments store hot or cold foods in Gastronorm food pans with covers.
- GN 1/1 Full Size Food Pan capacity per compartment:
 - 12 each, 2 1/2" (6,5 cm) deep
 - 8 each, 4" (10 cm) deep
 - 6 each, 6" (15 cm) deep
 - or 4 each, 8" (20 cm) deep
- Externally mounted thermometers (F° on domestic models, C° on international models) in each storage compartment allow easy monitoring of food holding temperatures.
- Sneeze guard meets food preparation requirements for both height and length.
- Dry storage compartment locks to keep cash drawer and other valuables safe.
- Removable menu board with erasable surface included.
- Display shelf promotes food merchandising for building add-on purchases.
- Molded-in handles on both sides provided comfortable easy transporting.
- Four each 6" (15,2 cm) swivel casters, 2 w/ brakes ensure easy transport across a lobby floor or campus.
- Handsome umbrella and display panel can be personalized. Standard display panel comes with Cruising Café logo unless otherwise specified. Standard canopy is not printed.
- Non-electrical.
- Some assembly required.
- System available in 7 solid colors and 2 combined colors. Two standard canopy colors selected, unless otherwise specified.

Item No. _____

Specifier Identification No. _____

Model No. _____

Quantity _____

**KVC854U****4 Well Top**

- GN Food Pan configuration for top row left to right includes:
- 2 each 1/2 Long Food Pans
 - 3 each 1/3 Food Pans with two DIV12 Divider Bars
- GN Food Pan configuration for bottom row left to right includes:
- 1 each 1/1 Food Pan
 - 2 each 1/4 and one 1/2 Food Pans with one DIV12 Divider Bar

**6 Well Top**

- GN Food Pan configuration for top row left to right includes:
- 3 each 1/3 Food Pans with two DIV12 Divider Bars
 - 1 each 1/1 Food Pan
 - 2 each 1/4 and one 1/2 Food Pans with one DIV12 Divider Bar
- GN Food Pan configuration for bottom row left to right includes:
- 2 each 1/2 Long Food Pans
 - 2 each 1/2 Food Pans with one DIV12 Divider Bar
 - 1 each optional Cutting Board

CAMBRO
MANUFACTURING COMPANY
<http://www.cambro.com>

CamKiosk® Cart

With Umbrella

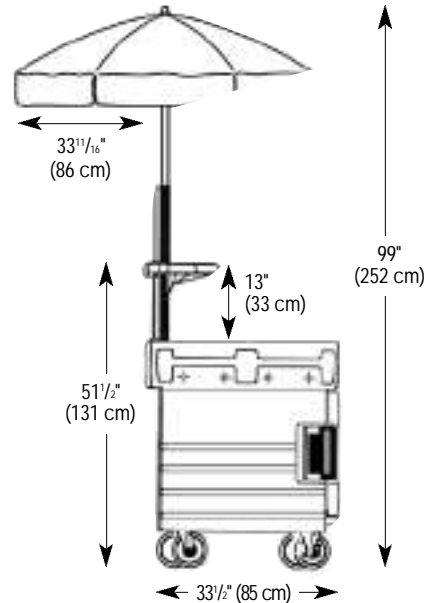
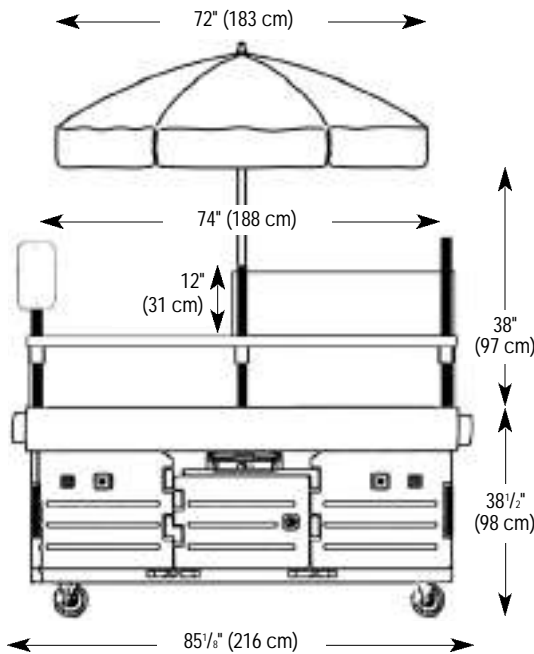
Domestic Models KVC854U, KVC856U
International Models KVC854U220, KVC856U220

Item No. _____

Specifier Identification No. _____

Model No. _____

Quantity _____



Specifications

Dimension Tolerance: +/- 1/4" (0,64 cm)

Code	Description	Overall Dimension L x W x H (With Umbrella)	Shipping weight lbs./cube (Kg/m ³)
Domestic with Umbrella			
KVC854U	Cart w/4 pan wells	85 1/8" x 67 3/8" x 99" (216 x 171 x 252 cm)	386/76.6 (175,2/2,14)
KVC856U	Cart w/6 pan wells	85 1/8" x 67 3/8" x 99" (216 x 171 x 252 cm)	386/76.6 (175,2/2,14)
International with Umbrella			
KVC854U220	Cart w/4 pan wells	85 1/8" x 67 3/8" x 99" (216 x 171 x 252 cm)	386/76.6 (175,2/2,14)
KVC856U220	Cart w/6 pan wells	85 1/8" x 67 3/8" x 99" (216 x 171 x 252 cm)	386/76.6 (175,2/2,14)

Optional Accessories

- Well Cover WCR1220
- Cutting Board CB1220
- Camchiller® CP1220
- ThermoBarrier® 1600DIV

Standard Colors

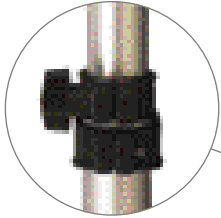
- CamKiosk:**
 - Granite Gray (191)
 - Granite Sand (194)
 - Kentucky Green (519)
 - Black Base with Granite Gray Top & Door (426)
 - Granite Green (192)
 - Navy Blue (186)
 - Granite Green Base with Black Top (425)
 - Granite Red (193)
 - Hot Red (158)
- Umbrella:**
 - Green and Beige
- Well Cover:**
 - Black (110)
 - Green (519)
 - Granite Red (193)
 - Red (158)
 - Granite Gray (191)
 - Granite Sand (194)
 - Blue (187)
 - Granite Green (192)

Architect Specs

The portable foodservice cart shall be a CamKiosk, manufactured by Cambro Mfg. Co., Huntington Beach, CA 92648 U.S.A. It shall be a Cambro Model... It shall be made of polyethylene and foam-injected polyurethane. It shall have molded-in handles, 4 each 6" (15,2 cm) swivel casters, 2 w/ brakes on a molded-in chassis. It shall have four or six GN 1/1 Full Size Food Pan, 6" (15,2 cm) deep work top configurations and 2 insulated storage compartments to accommodate Gastronorm pans with covers. It shall have externally mounted thermometers in each storage compartment. It shall have a sneeze guard with a display shelf, a locking dry storage compartment and a removable menu board. It shall come with or without a umbrella and will have a standard customized display panel with Cruising Café logo. The CamKiosk shall be available in 9 colors.



CAMKIOSK® CARTS & SYSTEM



Telescoping poles enable canopy to lower 12" for quick and easy storage.



Cart Colors Canopy Colors

	Navy Blue (186)		Beige (157)
	Hot Red (158)		
	Granite Gray (191)		Kentucky Green (519)
	Granite Green (192)		Umbrella Color Beige/Kentucky Green
	Kentucky Green (519)		
	Granite Green Base with Black Top & Doors (425)		
	Black Base with Granite Gray Top & Doors (426)		

Personalize your CamKiosk Cart to promote your brand.

Canopy Trim and Top Panel (All Charges NET per side)

One Color	\$ 400.00
Two Color	460.00
Three Color	520.00

Front Display Panel (Cruising Café panel standard)

Set Up Charge per Panel	\$135.00
Charge NET per Color	10.00



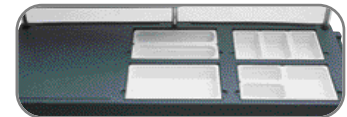
Conveniently located lockable cash box (included) can also be kept in dry storage compartment.



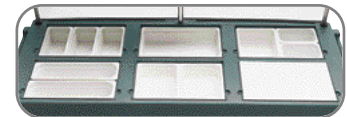
Camchillers® keep packaged foods cold during transport and service. Place directly on top of food pan wells or at the top of the CamKiosk insulated holding cabinet.



Bridge connector joins CamKiosk and hand sink to create greater contiguous work space and under-counter storage.



4 well top with work space



6 well top

Holding Capacity Per Compartment

Two holding cabinets store hot or cold food in Gastronorm Food Pans with Covers.

12 GN 1/4 full size 2 1/2" deep pans or
8 GN 1/4 full size 4" deep pans or
6 GN 1/4 full size 6" deep pans or
4 GN 1/4 full size 8" deep pans or
8 each 2025 Camtrays or
8 each 3253 Camtrays.

Bridge Connector & Well Cover Colors:
Black (110), Hot Red (158), Navy Blue (186), Kentucky Green (519), Granite Gray (191), Granite Green (192).

6" Casters: 2 fixed, 2 swivel, 2 with brake.

Cutting Board Color: White (148).

Camchiller Color: Cold Blue (159).

ThermoBarrier Color: Slate Blue (401).



Camchiller & ThermoBarrier



CODE	FULL SIZE PAN WELLS	OVERALL DIMENSIONS L x W x H	CASE LBS. (CUBE)	LIST PRICE EA.
CamKiosk Carts				
KVC854	4	85 1/8" x 33 1/2" x 70 1/2"	302 (64.6)	\$ 6,175.00
KVC854C	4	85 1/8" x 33 1/2" x 94"	347 (90.84)	8,550.00
KVC854U	4	85 1/8" x 60 1/2" x 99"	345 (66.0)	6,600.00
KVC856	6	85 1/8" x 33 1/2" x 70 1/2"	305 (64.6)	6,175.00
KVC856C	6	85 1/8" x 33 1/2" x 94"	349 (90.4)	8,550.00
KVC856U	6	85 1/8" x 60 1/2" x 99"	348 (66.0)	6,600.00

C: Canopy U: Umbrella

CODE	DESCRIPTION	DIMENSIONS L x W x H	CASE LBS. (CUBE)	CASE PACK	LIST PRICE EA.
Optional Accessories					
CB1220	Cutting Board	21" x 13 1/8" x 1/2"	4 (0.31)	1	\$ 40.00
CP1210	Camchiller® GN Half size	10 3/8" x 12 3/4" x 1 1/2"	3.8 (0.18)	1	62.00
CP1220	Camchiller® GN Full size	20 3/16" x 12 7/8" x 1 1/2"	8.15 (0.32)	1	120.00
KMC24	Bridge Connector	32 1/4" x 23" x 38 3/8"*	33 (5.3)	1	620.00
WCR1220	Well Cover	21" x 13" x 2"	5 (0.55)	1	90.00
1600DIV	ThermoBarrier® Insulated Shelf	20 7/8" x 13 1/8" x 1 1/2"	6.17 (0.55)	2	67.00

*Assembled dimensions for KMC24.

ICON DIRECTORY

Throughout the Cambro catalog, find the following easy to identify icons to help explain Cambro product features or services.

STORESAFE®

Cambro is committed to providing food service operators with products to help meet HACCP guidelines.

- Cambro food storage products are designed to help keep food fresh and reduce cross contamination.
- Camshelving® is easy to clean to provide a sanitary storage area.
- Cambro catering and merchandising equipment maintain food temperatures to safely hold and transport food.
- The closed wall design of the Camrack® Warewashing and Storage System allows glassware to be stored in an enclosed sanitary place.

Look for the Cambro StoreSafe® mark throughout the Cambro catalog to identify Cambro storage and transportation products that help ensure safe food handling.



Store and Transport
Food Safely



Listed by the National Sanitation Foundation. NSF, an independent testing organization, lists products which meet their criteria for sanitation and cleanability.



One carton of product is within the weight and cube requirements to be shipped by parcel carrier.



Dishwasher Safe



5-Year Warranty



Foam Insulation



Stackable



New Product



Note: Temperature ranges noted throughout this catalog are based on specific test criteria and provide a general guideline. Individual use may vary due to differences in loading temperatures or ambient temperature.

© 2006 Cambro Mfg. Co. Printed in the USA.